



Intuitive control panel with preprogrammed exposure settings for all areas of both adult and pediatric dentitions



Choose from a variety of cones to ensure that your X-ray is the best fit for your clinical needs

## Long lasting performance with repeatable image quality

The accurate FOCUS X-ray generator technology ensures safe exposure and repeatable image quality at all times. Selectable kV of 60/70 kV combined with a steady tube current of 7 mA allows optimal X-ray settings for all indications.

Choose from a variety of cones to ensure a combination of image sharpness, usability and radiation hygiene of your choice. FOCUS provides you consistent image quality exposure after exposure and is fully compatible with digital imaging plate systems, digital sensors and film.

Premium components and high quality designs used in FOCUS result in reliable operation and long service life, making FOCUS the choice for reliable, precise dental diagnostics.

## Dental Excellence from DEXIS

### Your Complete Diagnostic Workflow:

DEXIS brings you the industry's most comprehensive selection of diagnostic imaging solutions, intelligently designed to deliver a complete workflow.

### Future-Ready Innovation:

While delivering enhanced workflow efficiencies today, DEXIS prepares your practice for the treatments of tomorrow.

### More Flexibility with More Solutions:

With the DEXIS expansive portfolio of industry-leading products, you'll have more options and flexibility to meet patients' needs and practice preferences.

### Experts Available on Demand:

Behind our pioneering technologies are our people, many of the industry's most experienced, committed, and responsive experts. Our digital workflow specialists are ready to discuss your goals and build your digital roadmap.

DEXIS reserves the right to make changes to specifications and features shown herein, or to discontinue the product described at any time without notice or obligation. Contact your local authorized representative for the most current information. CE-marked, NB (CE) number 0537. Electrical safety according to IEC 60601-1. Operations comply with ISO 13485:2016 and ISO 14001:2015. Manufactured by Palodex Group OY, Nahkelantie 160, FI-04300 Tuusula, Finland. Tel. +358 10 270 2000 | [www.DEXIS.com/en/contact](http://www.DEXIS.com/en/contact)

FOCUS™ is a registered trademark of PaloDex Group Oy in the United States and/or other countries.

© 2022 DEXIS All rights reserved. KV00007/RevC

Headquarters  
PaloDex Group Oy  
Nahkelantie 160 | FI-04300 Tuusula | FINLAND  
Tel. +358 10 270 2000 | <https://www.DEXIS.com/en/contact>  
[www.DEXIS.com](http://www.DEXIS.com)

USA  
Dental Imaging Technologies Corporation  
1910 North Penn Road | Hatfield, PA 19440 | USA  
Tel: 1-888-88-DEXIS | Fax: 1-215-997-5665  
<https://www.DEXIS.com>



**DEXIS™ FOCUS™**  
**Focus on your patient**



## Exceptional stability yet amazingly light to handle

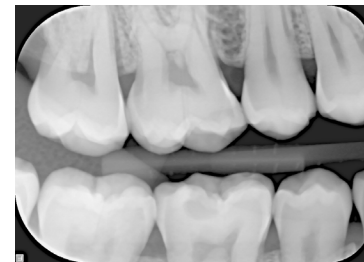
FOCUS X-ray is extremely stable, yet amazingly light and easy-to-handle. It positions smoothly with just one hand. The movement stops when you want it to stop—no drifting or repositioning. This exceptional stability is a result of the ADM anti-drift mechanism in the scissor arm. This innovative design provides complete immobility after positioning, which is essential in order to get clinically correct images.

**ADM**  
ANTI-DRIFT MECHANISM

## Always close to the patient with extremely long arm reach

The choice of three different arm lengths makes FOCUS the perfect X-ray for any practice. Long arm reach ensures FOCUS X-ray is always where it is needed, close to the patient.

The FOCUS X-ray mounting system requires a minimal amount of space on the wall. A standard wall mount or cabinet mount allows the FOCUS X-ray to be installed in any type of room setup. Even in dental offices with challenging layouts, taking images is easy and convenient.



Producing consistent results, exposure after exposure

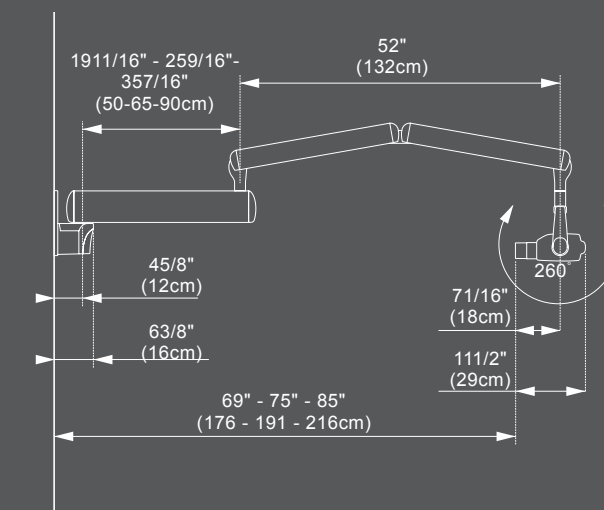


- Exceptional stability
- Smooth movements
- Anti-drift mechanism
- Consistent images
- Reliable operation
- Excellent build quality

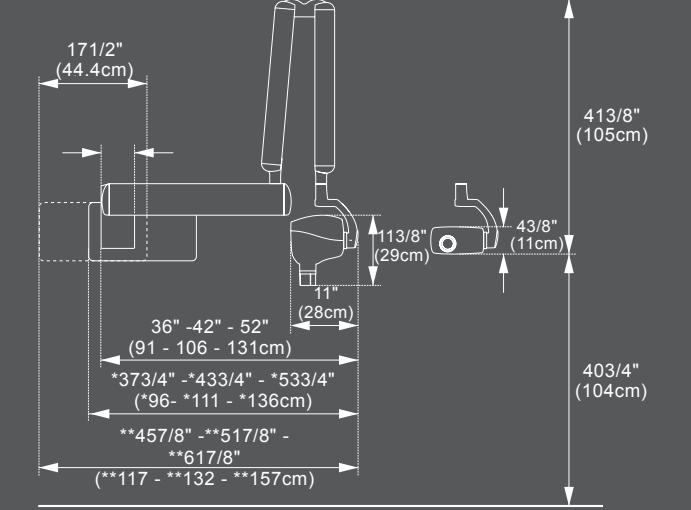
## Technical Specifications

Generator:	Constant potential (high voltage DC, 100–200 kHz)
kV:	60 kV, 70 kV selectable
mA	7 mA
Focal spot:	0.7 mm (IEC 60336)
Total filtration	2.0 mm Al (70 kV)
Exposure time	0.02 to 3.2 seconds
SSD (Source-Skin Distance)	9" (229 mm) standard cone; 12" (305 mm) long cone
Line voltage	115—230 VAC ± 10%, 50/60 Hz
Reach	69", 75" and 85"/176, 191 and 216 cm
Weight	66 lbs (30 kg)

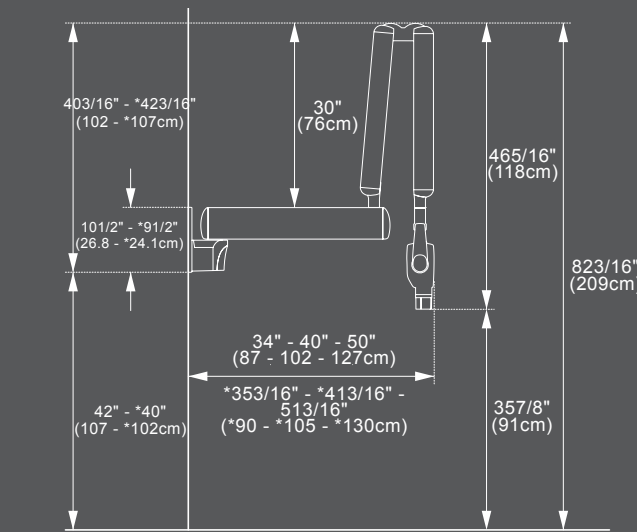
## Unit Dimensions



Note: Dimensions are based on single stud mount and short cone. Two-stud mount extends out an additional 1 3/16" (3.0cm)



Note: Dimensions are based on single stud mount and short cone. \*Denotes dimensions based on two-stud mount oriented to the right. \*\*Denotes dimensions based on two-stud mount oriented to the left.



Note: Dimensions are based on single stud mount and short cone. \*Denotes dimensions based on two-stud mount.