



Signo T100



Thinking ahead. Focused on life.

Excellent Design

signo T 100

Technology meets Aesthetics

The new Signo T100 is based on a clear architectural structure evolving from the Signo T500 premium model with an individual pantograph lifting mechanism seat design. The new Signo T100 represents an uncompromised result of the Morita DNA.

- Timeless design.
- Sophisticated manufacturing quality.
- Solidity, reliability and longevity.

The new Signo T100 encompasses ideally the general design philosophy of Studio F. A. Porsche with the professional standards of Morita. It offers simple functionality and ease of maintenance, and its pure white body color blends in with the space and brings a sense of calmness.





Simplicity and Performance



Pantograph Lift Mechanism

The cantilevered chair is coupled with a pantograph lift mechanism, the most widely used height adjustment mechanism in the world. Patients can stretch out their legs during treatment, which means they are less stressed and can cope with longer treatments.



Minimum 400 mm Height for Enhanced Safety

The chair can be lowered to just 400 mm, making it easy for older people and children alike to get on and off safely and with ease.



Luna Vue TS for Optimal Visibility

The long-lasting energy-efficient single LED of the Luna Vue TS provides 30,000-lux of brightness and four levels of adjustment to ensure optimal visibility for the operator. The optional Touchless Sensor enables the light to be turned on or off without making direct contact for enhanced hygiene.



Easy-to-Clean Holders

The fixed insert holders feature a simple design and are easy to clean.



Easy-to-Use Foot Controller

The low angle of the foot switch minimizes strain on the ankle from extended periods of operation and the chair's manual lever has an intuitive design for enhanced ease of operation. An optional movable pedal guard is also available.



Headrest : Simple Design for Ease of Operability

The simple design of the headrest makes it easy to adjust and it is shaped in such a way as to prevent unwanted movement of the patient's head during treatment. A twin-axis headrest is available as an option.



Table Moves Effortlessly

The table with its integrated holders moves smoothly around a central axis.



Basin Cleaning Function

The water supply for the cup also cleans the basin automatically. It can also be cleaned manually and set to clean continuously.

Easy Maintenance



Flushing device (Option)

This flushing device drains residual water from the unit's piping. The flushing adapter can be stored inside the unit.



Vacuum Filter

The vacuum filter to be cleaned every day is located behind the assistant-side holder where it is easy to access.



Sterilization Cartridges (Option)

The porous hollow-fiber membranes in the cartridges capture bacteria and other contaminants to supply both clean air and clean water.

Equipment



Ultrasonic Scalers
Solfy T (LED)
Solfy F (LED)
Newtron (LED)



Vacuum Syringes
Rotary vacuum syringe
Grip-switch type vacuum syringe
Saliva ejector



One-touch Connectors (water supply)
One-touch Connectors (air supply)



Luna Vue TL EL mirror



Mouse Tray



Small Tray Paper Holder



Separately Mounted Piping Pit



Doctor-Side Armrest Assistant-Side Armrest

Operating Stools



Operating Stool T2

The backrest, which can double as an armrest, can be rotated freely while sitting, enabling the operator to maintain a stable posture.



Operating Stool OS-EX-1

Work in a natural posture: The OS-EX-1 operator's stool automatically brings you into an ergonomic, upright sitting position.

Colors

Colors Singo T100, Operating Stool T2 are available in all upholstery colours shown.



Lamb (T-WH)



Clay (T-BE)



Deep Red (T-RE)



Soleil (T-OR)



Luxury Seat
(A variety of colors are available.)



Caribou (T-BR)



Black (T-BK)



Opal White (POW9)*



Citrine Gold (PGC9)*



Onyx Black (POB9)*



Periodot Green (PPG9)*



Night Sky (T-BL)



Aloe (T-GR)



Garnet Red (PGR9)*



Amethyst Purple (PAP9)*



Tanzanite Blue (PTB9)*

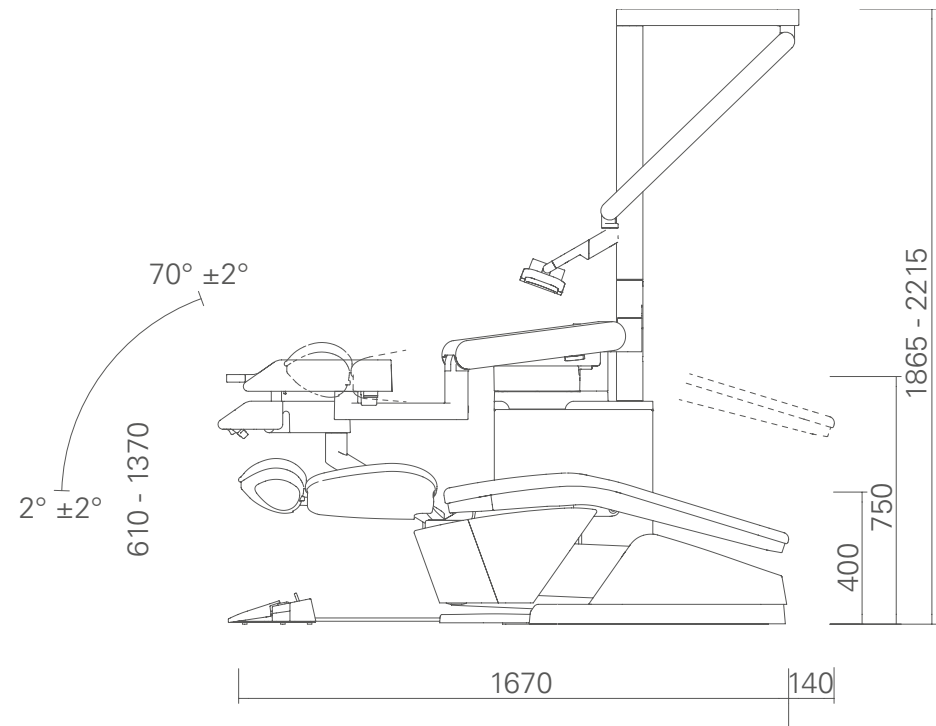
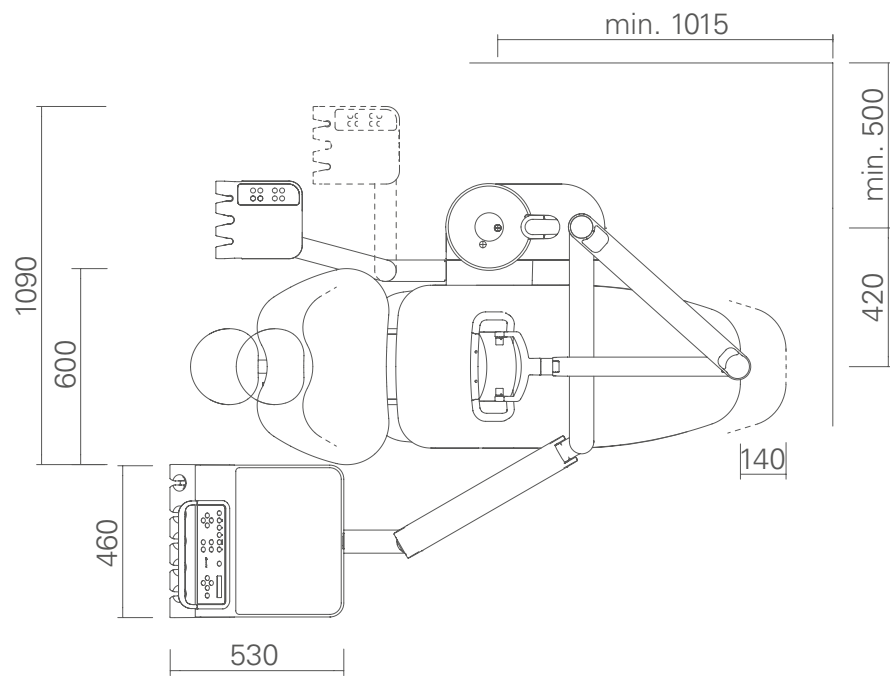


Tourmalin Green (PTG9)*

*Arzthocker OS-EX-1 is only available in these colours.

Specifications

Contour Type, Over Arm



Signo T100

Name: Signo T100

Type: Chair mount : TUA20

Power Supply Voltage: 230 V 50/60 Hz

Power Consumption: 1.0 kVA

Chair Lift Mechanism: Pantograph type

Seat Height (from floor): Minimum 400 mm, maximum 750 mm

Seatback Angle (from horizontal): Maximum upright position 70°, reclined 2°
(single-acting cylinder)

Mass: Approx. 250 kg

General Name: Dental unit

Generic Name: Signo T

Equipment Type: Controlled Medical Device (Class II) Medical Device
Requiring Specific Installation and Maintenance

Medical Device Approval No. : 229AKBZX00081000

Statutory Life (years of depreciation): 7 years





Development and Manufacturing

J. MORITA TOKYO MFG. CORP.

Komuro 7129, Ina-machi, Kitaadachi-gun, Saitama, 362-0806 Japan

T +81. (0)48. 723 2621, F +81. (0)48. 723 2622

Morita Global Website

www.morita.com

Distribution

J. MORITA CORP.

3-33-18 Tarumi-cho, Suita-shi, Osaka 564-8650, Japan

T +81. (0)6. 6380 1521, F +81. (0)6. 6380 0585

J. MORITA EUROPE

Justus-von-Liebig-Str. 27b, 63128 Dietzenbach, Germany

T +49. (0)6074. 836 0, F +49. (0)6074. 836 299

MORITA DENTAL ASIA PTE. LTD.

150 Kampong Ampat #06-01A KA Centre, Singapore 368324

T +65. 6779. 4795, F +65. 6777. 2279

J. MORITA CORP. AUSTRALIA & NEW ZEALAND

Suite 2.05, 247 Coward Street, Mascot NSW 2020, Australia

T +61. (0)2. 9667 3555, F +61. (0)2. 9667 3577

J. MORITA CORP. MIDDLE EAST

4 Tag Al Roasaa, Apartment 902, Saba Pacha 21311 Alexandria, Egypt

T +20. (0)3. 58 222 94, F +20. (0)3. 58 222 96

J. MORITA CORP. INDIA

Filix Office No.908, L.B.S. Marg, Opp. Asian Paints, Bhandup (West), Mumbai 400078, India

T +91-22-2595-3482

SIAMDENT CO., LTD.

71/10 Moo.5 T.Thakham A.Bangpakong, Chachuengsao 24130 Thailand

T +66. 38. 573042, F +66. 38. 573043

www.siamdent.com

Diagnostic and Imaging Equipment

Treatment Units

Handpieces and Instruments

Endodontic Systems

Laser Equipment

Laboratory Devices

Educational and Training Systems

Auxiliaries