


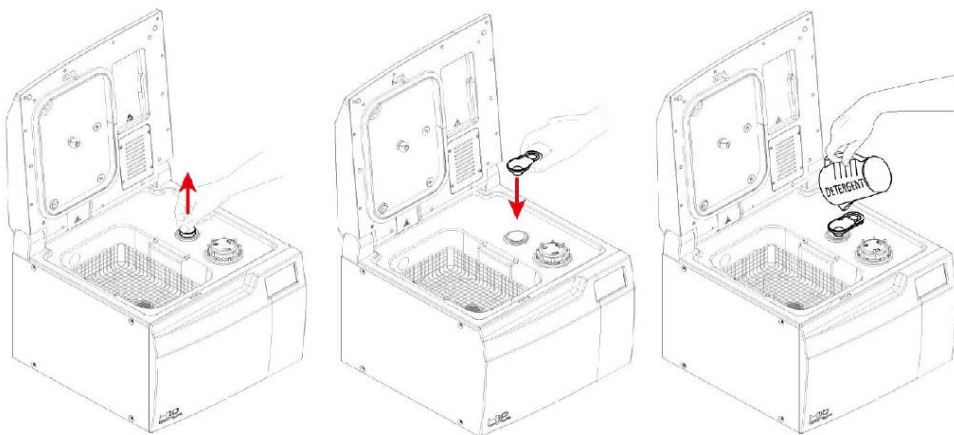
Mocom Tethys – Quick Guide #3	Page	1 of 1	
Detergent & Salt Replacement	Version	1.3	
	Amend date	18/8/18	

The Tethys requires periodic replacement of both detergent and water softening salt. Tethys compatible consumables are available online from MOCOM Australia (www.mocomaustralia.com.au) and other selected outlets.

Detergent: **9TETH-TETHYCLEAN** TethyClean - 3L Individual Bottle
Water Softening Salt: **9TETH-SALT1KG** Water Softening Salt 1kg

TO REFILL DETERGENT RESERVOIR:

- The Tethys will indicate that it requires detergent
- Open the lid and locate the detergent reservoir, remove the lid and insert the supplied mini funnel.
- Fill the reservoir with approximately 0.5L of suitable detergent, do not overfill.
- **Only use approved liquid washing detergents – do not use powdered detergents.**
- Wipe off any excess detergent and refit the lid.



TO REFILL WATER SOFTENING SALT:

- The Tethys will indicate that it requires salt
- Open the lid and locate the salt reservoir at the front of the upper surface, unscrew the lid and insert the supplied funnel.
- Fill the reservoir with salt. Do not overfill.
- Wipe any excess from the surfaces and refit the lid.

