

# Sterilization, Replacement Parts, and Storage

## (1) Sterilization

### Autoclavable Components and Instruments

Recommended: 135° C (275° F) for at least 5 minutes inside a sterilization pouch.  
Minimum drying time after sterilization: 10 or 20 minutes, depending on the item.



- Air Turbine Handpieces<sup>\*1</sup>
- Micromotor Attachments<sup>\*1</sup>
- Micromotor Motor Cover<sup>\*1</sup>
- Threeway Syringe (nozzle, case and cap) ( → see next page)
- Vacuum Syringe (syringe body, adaptor and vacuum tip)
- Ultra Sonic Scaler (Handpiece and Tip)<sup>\*1</sup>
- Waste Cup Holder
- Medicinal Vial Holder
- Tray Handle ( → see next page)
- Tray Sheet (Roll sheet up for autoclaving)<sup>\*2</sup>
- Instrument Holders<sup>\*2</sup> ( → see page 87)
- Operating Light Handles<sup>\*1\*2</sup>

<sup>\*1</sup>: Refer to separate user manuals.

<sup>\*2</sup>: Minimum drying time after sterilization: 20 minutes.

- ⓘ Autoclaving and drying temperatures must never exceed 135° C / 275° F.
- ⓘ Clean everything thoroughly before autoclaving. Any chemical or foreign debris left on instruments could cause them to malfunction or could cause discoloration.
- ⓘ Oils and chemicals can deform or discolor plastics and resins during autoclaving; instruments and utensils which are used with chemicals or oils should be autoclaved separately from others. Plastic items can also be deformed by the heat; avoid this by putting them on a piece of gauze and take care that they do not directly contact the tray or other metals parts of the autoclave.

### WARNING

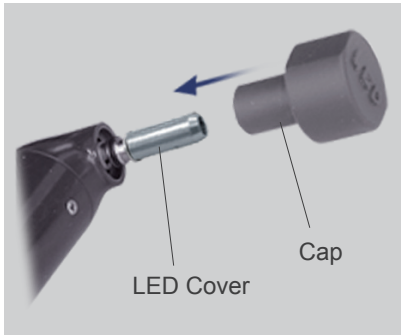
- To prevent the spread of serious, life-threatening infections such as HIV and hepatitis B, the eye protector (option) must be autoclaved after the completion of each patient.

### NOTE

- Do not sterilize in any way other than autoclave.
- The instrument is extremely hot immediately after autoclaving; do not touch it for at least 10 minutes.

## Autoclavable Components and Instruments

### ■ Threeway Syringe



Put the cap on the LED cover before autoclaving.



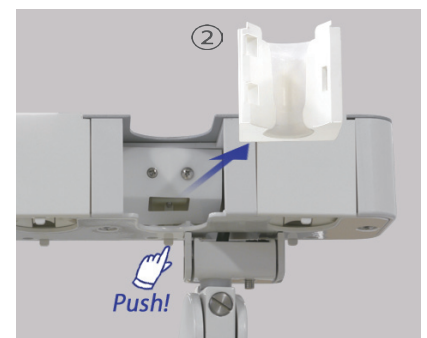
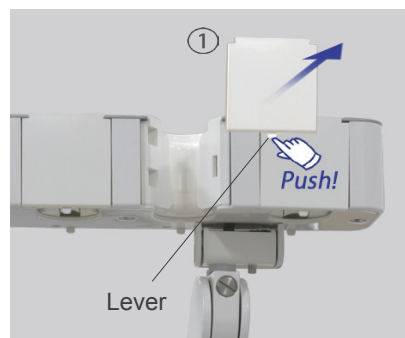
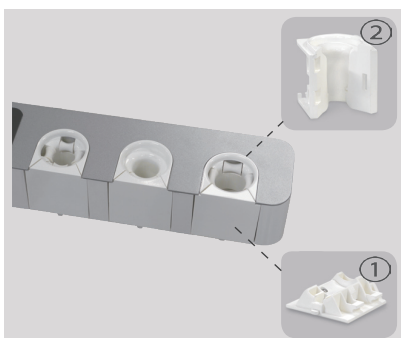
### ■ Tray Handle



Pull it out to remove.

### ■ Instrument Holders

#### Assistant Instrument Holder



Remove it by pulling while pressing the lever.

ⓘ To attach it, push it in securely until it clicks into place.

### ⚠ NOTE

Autoclaving can degrade the LED; put the cap on the LED cover before autoclaving.

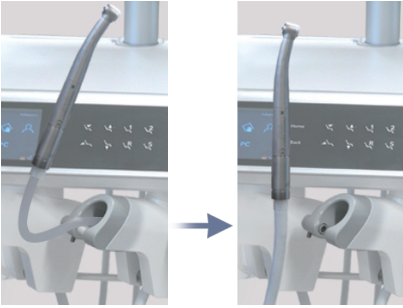
## Autoclavable Components and Instruments

### ■ Instrument Holders

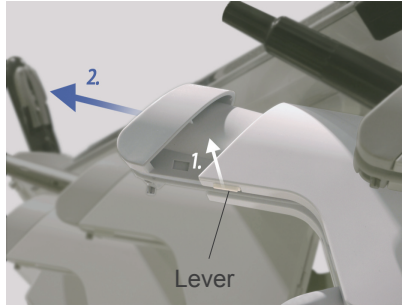
#### Floor-mounted Tray



##### How to remove

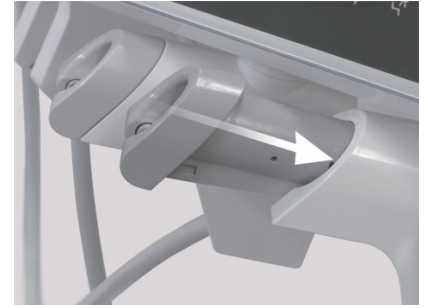


Open the tube holding lever and remove the main tube.

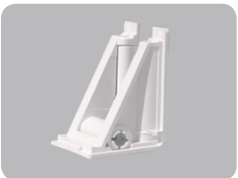


Pull it out while sliding the lever.

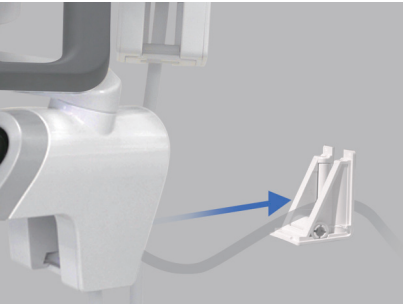
##### How to attach



Attach it by reversing the procedure to remove it.

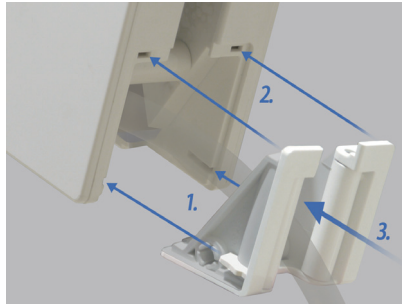


##### How to remove



Pull out the holder backward and remove the main tube.

##### How to attach



Attach it by placing the main tube in the holder and fitting the connecting sections to it.

## Components Disinfected by Wiping with Ethanol

Clean outside surfaces including the seat only with Ethanol for Disinfection (Ethanol 70~80 vol%)



- Headrest, Seat, Backrest, Leg Support
- Headrest Cover
- Main Tubes
- Base-mounted Tray
- Assistant Auxiliary Tray
- Large Tray
- Smaller size Tray
- Front Cover for Operating Light (refer to separate user's manual)
- Tray Switch Panel
- Housing and Enamel Surfaces
- Bottle for Flushing System
- Foot control

- ⓘ Clean outside surfaces including the seat only with Ethanol for Disinfection (Ethanol 70~80 vol%) or a neutral detergent. Alkaline and acidic cleaners or any of the chemicals listed below can cause cracking, discoloration, and other damage. Do not use aldehydes, cresols, hypochlorite, quaternary ammonium salt etc. (Check contents charts and cautionary notes on containers. )
- ⓘ Use only Ethanol for Disinfection (Ethanol 70~80 vol%) to disinfect the instrument. And use Ethanol for Disinfection (Ethanol 70~80 vol%) to immediately wipe off any chemicals that are accidentally spilled on the seat etc.
- ⓘ Do not use ozone water to clean the unit or its drain and vacuum lines. Ozone water could cause rusting inside the lines and other damage to the unit.
- ⓘ Do not disinfect the clinic with ozone gas or ultraviolet light. This could damage plastic and rubber components.
- ⓘ When cleaning the floor around the chair, take care not to get water or solutions used for floor waxing on the foot control.
- ⓘ Do not press down on the operation panel too hard when cleaning it.

### WARNING

- Always turn off the main switch before disinfecting components and surfaces with ethanol. Otherwise, there is a risk of electric shock, burns, or the accidental pressing of a switch which could cause the chair to move and result in an accident.