

PLANMECA DENTAL UNITS

Maintenance and infection control for scheduled down-time periods

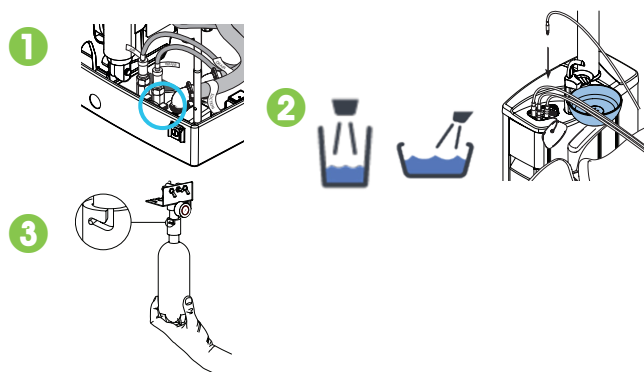
Before down-time period

Dental unit waterlines

Emptying waterlines

If the dental unit will not be used for many weeks, the dental unit waterlines must be emptied to prevent biofilm formation.

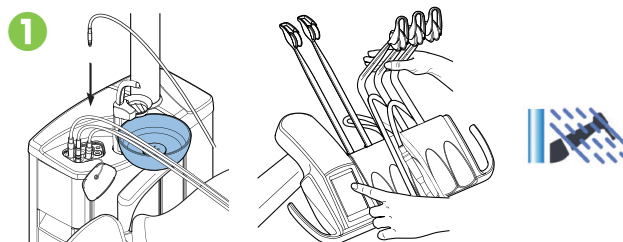
- 1 Close the incoming water tap.
- 2 Flush the cup fill, bowl rinse and all instrument waterlines, including the assistant's syringe, until all water has run out.
- 3 If the dental unit is equipped with a clean-water bottle, remove the bottle and clean it.



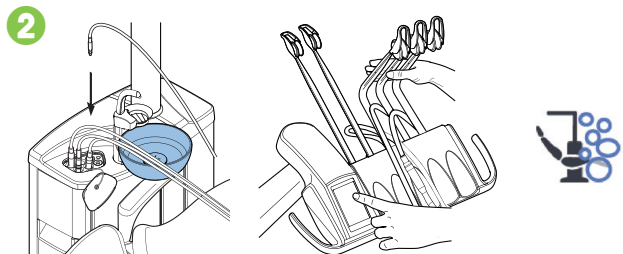
After down-time period

Dental unit waterlines

- 1 Run plenty of water through the dental unit.
The easiest way to do this is to perform long instrument flushing several times. Remember to select all instruments, including the assistant's syringe.
Note! If the waterlines are empty, the water will splash in the beginning when you start flushing the instruments.

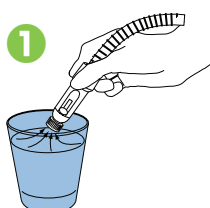


- 2 Clean the waterlines over night with Planmeca Planosil / Planmeca PlanPure using the Waterline Cleaning System (WCS) or the Clean Water System (CWS) and flush the waterlines the following morning.
Start the cleaning process the day before you want to take the dental unit into use.
Repeat the waterline cleaning two more times for two subsequent days.



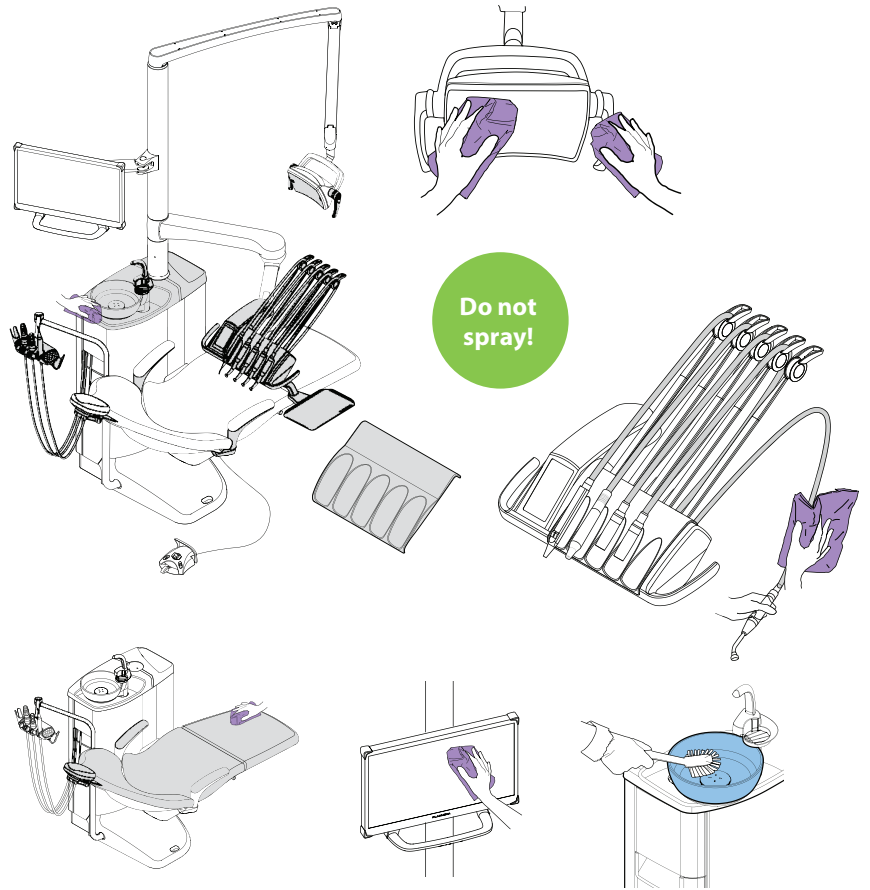
Suction lines

- 1 Aspirate at least 0.5 litres of water through each suction tube.



Surfaces

1 Wipe all surfaces.



For detailed instructions, please see the user's manual. Copyright Planmeca. Rights for changes reserved.